

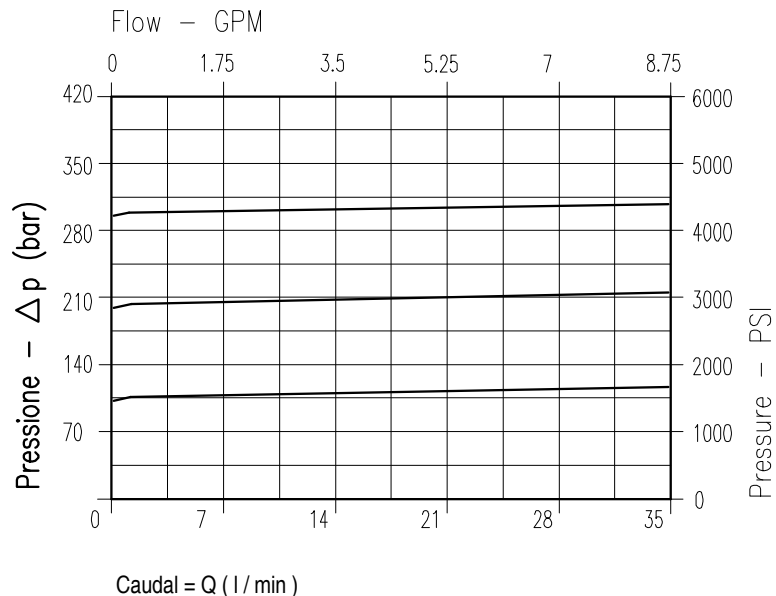
CARACTERISTICAS

Diametro nominal mín/máx	DN 6/8
Caudal mínimo / máximo	35 l/min - 8.75 GPM
Presión máxima de trabajo	350 bar - 5075 PSI
Presión máxima de tarado	350 bar - 5075 PSI
Temperatura ambiente	-30°C + 50°C
Temperatura ACEITE	-30°C + 80°C
Filtrado recomendado	30÷50 micron
Peso 3/8" GAS	0.837 Kg
Peso 1/2" GAS	0.727 Kg

PERFORMANCE

Min/max rated size
Min/max flow-rate
Max working pressure
Max setting pressure
Room temperature
Oil temperature
Recommended filtration
Weight 3/8" GAS
Weight 1/2" GAS

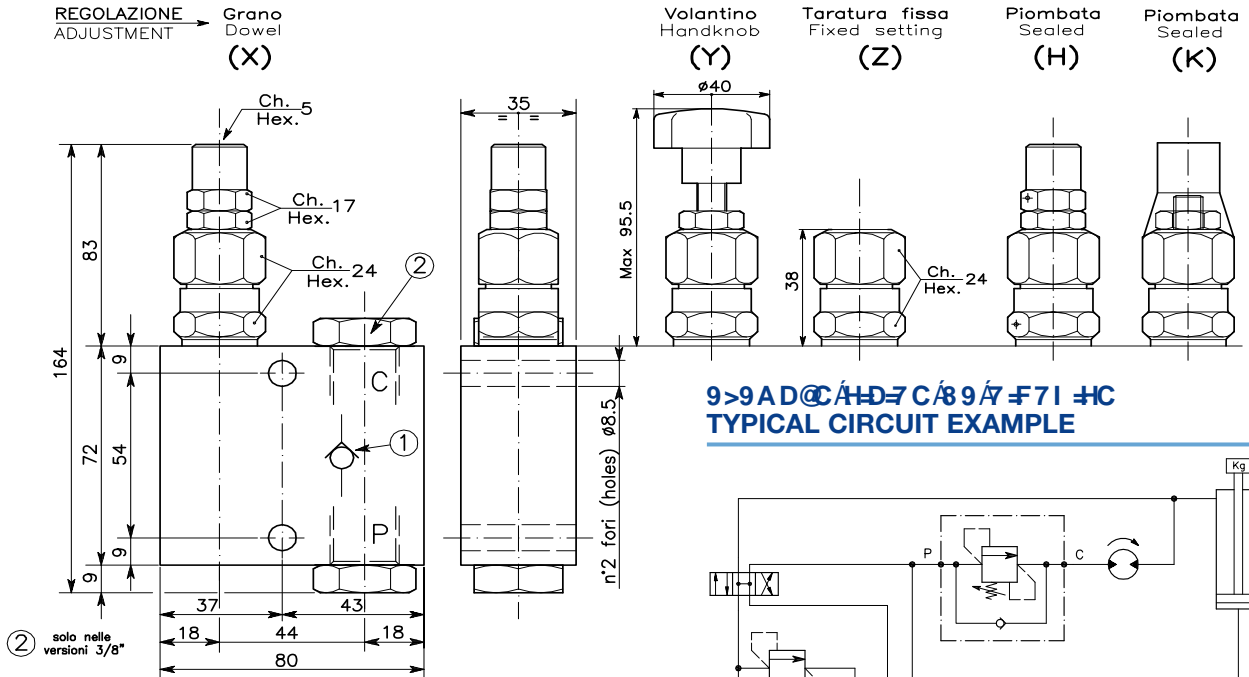
Viscosidad aceite 46 cSt a 50°C
Oil viscosity 46 cSt at 50°C



VÁLVULA DE SECUENCIA

VX6202 3/8" 10-210 BAR

VX6403 1/2" 20-350 BAR



DIMENSIONI DIMENSIONS

Campo taratura Setting range			Attacchi Port size C-P (BSPP)	Luce nominale Rated size DN	Portata max. Max flow-rate l/min - GPM
031	258	259	3/8"	6	35-9
030	253	254	1/2"	6	35-9

CODICE DI ORDINAZIONE HOW TO ORDER

002 032 A X 0

Campo taratura / Setting range					
031	258		259		
030	253		254		
Campo taratura 5÷100 bar (molla colore blu) Setting range 5÷100 bar (blue spring)	Campo taratura 10÷210 bar (molla colore verde) Setting range 10÷210 bar (green spring)		Campo taratura 20÷350 bar (molla colore giallo) Setting range 20÷350 bar (yellow spring)		
Taratura standard (Q=5 l/1') Std. bar setting (Q=5 l/1') 80 bar	Incr. press. - bar giro/vite Pressure rise - turn of screw (-)	Taratura standard (Q=5 l/1') Std. bar setting (Q=5 l/1') 180 bar	Incr. press. - bar giro/vite Pressure rise - turn of screw (-)	Taratura standard (Q=5 l/1') Std. bar setting (Q=5 l/1') 320 bar	Incr. press. - bar giro/vite Pressure rise - turn of screw (-)

Pressione di apertura Cracking pressure VALV N°1	
A	1 bar
B	7 bar

Regolazione Adjustment	
X	Grano - Dowel
Y	Volantino - Handknob
Z	Taratura fissa - Fixed setting
H	Piombata - Sealed
K	Piombata - Sealed