



HIDRÁULICA
ROGIMAR

BOOK HY- DRAULIC



All the dimensions are in [mm] --- Tutte le dimensioni sono in [mm]

NOMINAL DIAMETER DIAMETRO NOMINALE	HOSE TYPE TUBO		4 SH PREMIUM	SAE 100 R13	SAE 100 R15	SAE 100 R15	SAE 100 R15	GAUGE			
	mm	inch/poll							FB code		
DN19	3/4	12	B41..	B41..	TUBO...13	TUBO...15	TUBO...15	TAMPONE DI CONTROLLO			
									⊙ ins./int. 15,5	⊙ ins./int. 15,5	NO GO NON PASSA
									34,1	34,1	GO PASSA
DN25	1"	16	TUBO...SH	B41..	TUBO...13	TUBO...15	TUBO...15	TAMPONE DI CONTROLLO			
									⊙ ext./est. 52	⊙ ext./est. 52	
									⊙ ins./int. 18	⊙ ins./int. 18	
DN31	1 1/4	20	TUBO...SH	B41..	TUBO...13	TUBO...15	TUBO...15	TAMPONE DI CONTROLLO			
									41,5	41,5	
									⊙ ext./est. 65	⊙ ext./est. 65	
DN38	1 1/2	24	TUBO...SH	B41..	TUBO...13	TUBO...15	TUBO...15	TAMPONE DI CONTROLLO			
									⊙ ins./int. 23	⊙ ins./int. 23	
									50,5	50,5	
DN51	2"	32	TUBO...SH	B41..	TUBO...13	TUBO...15	TUBO...15	TAMPONE DI CONTROLLO			
									⊙ ext./est. 74	⊙ ext./est. 74	
									⊙ ins./int. 23	⊙ ins./int. 23	
				SKIVE INSIDE AND EXTERNAL OF THE HOSE PELATURA INTERNA ED ESTERNA DEL TUBO							
											



ATTENTION:
 due to the great tolerances on the hose dimensions, these swaging diameters are for reference only. Crimping must be checked with gauge go-no go.
 ATTENZIONE:
 a causa delle ampie tolleranze dimensionali dei tubi idraulici, i valori sopra riportati rappresentano solo un riferimento indicativo.
 La conformità della pressatura deve essere verificata con i tamponi passa/non passa.

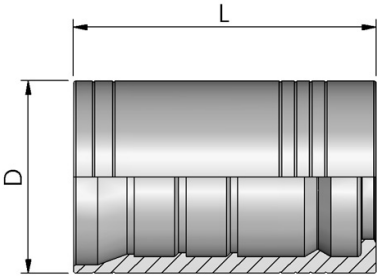
Technical characteristics contained in this document are indicative and don't constitute a technical specification. (Information may change without notice).
 I suggerimenti tecnici contenuti in questo documento sono indicativi e non costituiscono una specifica tecnica. (I dati possono essere variati senza preavviso).



HIDRÁULICA
ROGIMAR

BGB4lxx

CASQUILLO PRENSAR DRY-LOCK 4SH - R13 -R15

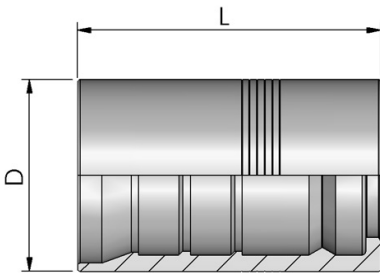


PARA MANGUERA: DIN EN
856 4SH
SAE 100 R13 (DN19;25)
SAE 100 R15 (DN 19;25)
ISO210 (DN 32;38)
ISO280 (DN 19;25;32;38)
ISO350 (DN 19;25)
ISO420 (DN 19;25)

Code Article	Hose		Dimensions (mm)		Skive ins.	Skive ext.	Hose Type
Cod	Inch/Pollici	DN (mm)	D	L	DN (mm)	DN (mm)	
BGB4I10	5/8	16	34	60	15.5	51	4SH
BGB4I12	3/4	19	38	60	15,5	52	4SH-R13-R15-ISO
BGB4I16	1"	25	46	75	18	65	4SH-R13-R15-ISO
BGB4I20	1"1/4	32	55	88	23	74	4SH-ISO
BGB4I24	1"1/2	38	62	94	23	81	4SH-ISO
BGB4I32	2"	51	78	100	31	86	4SH

BGB13xx

CASQUILLO PRENSAR DRY-LOCK R13 -R15



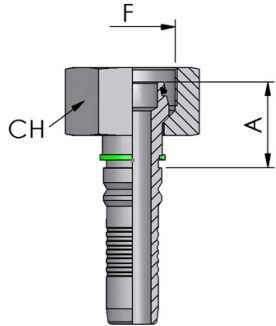
PARA MANGUERA: SAE 100
R13
SAE 100 R15 (DN 32;38)
ISO350 (DN 32;38)

Code Article	Hose		Dimensions (mm)		Skive ins.	Skive ext.	Hose Type
Cod	Inch/Pollici	DN (mm)	D	L	DN (mm)	DN (mm)	
BGB1320	1"1/4	32	60	88	23	74	R13-R15-ISO
BGB1324	1"1/2	38	67	94	23	82	R13-R15-ISO
BGB1332	2"	51	85	99	31	85	R13

Hidráulica Rogimar se reserva el derecho de cambiar total o parcialmente cualquier medida e información técnica contenida en este documento sin previo aviso.



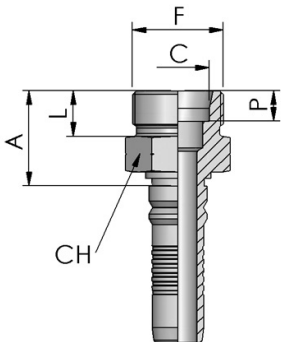
HIDRÁULICA
ROGIMAR



BGIFESxxxx

DKOS - DRY-LOCK METRICO O-RING TUERCA LOCA SERIE PESADA

Code Article	Thread	Hose		Standpipe	Dimensions (mm)	
		F	Inch/Pollici		DN (mm)	mm
BGIFES2010*	M30X2	5/8	16	20	36	34
BGIFES2012	M30X2	3/4	19	20	36	33,6
BGIFES2512	M36X2	3/4	19	25	46	36,6
BGIFES2516	M36X2	1"	25	25	46	37,6
BGIFES3016	M42X2	1"	25	30	50	39,7
BGIFES3820	M52X2	1"1/4	32	38	60	44,1
BGIFES3824*	M52X2	1"1/2	38	38	60	44



BGIMESxxxx

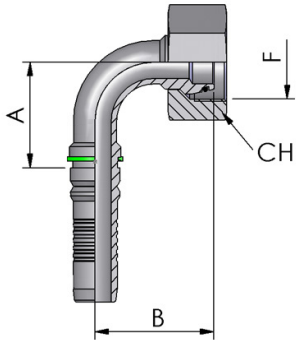
CES - DRY-LOCK METRICO MACHO SERIE PESADA

Code Article	Thread	Hose		Standpipe	Dimensions (mm)			
		F	Inch/Pollici		DN (mm)	mm	CH	A
BGIMES2012	M30X2	3/4	19	20	30	34,1	10,5	16
BGIMES2512	M36X2	3/4	19	25	36	37,1	12	18
BGIMES2516	M36X2	1"	25	25	36	38	12	18
BGIMES3016	M42X2	1"	25	30	46	41	13,5	20
BGIMES3020*	M42X2	1"1/4	32	30	46	38	14	20
BGIMES3820	M52X2	1"1/4	32	38	55	45,5	16,5	22

Hidráulica Rogimar se reserva el derecho de cambiar total o parcialmente cualquier medida e información técnica contenida en este documento sin previo aviso.



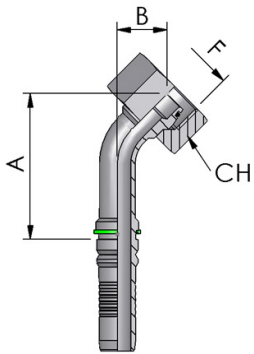
HIDRÁULICA
ROGIMAR



BGIC90ESxxxx

DKOS - DRY-LOCK METRICO O-RING TUERCA LOCA 90°

Code Article	Thread	Hose		Standpipe	Dimensions (mm)		
		Inch/Pollici	DN (mm)		mm	CH	A
BGIC90ES2012	M30X2	3/4	19	20	36	48	51
BGIC90ES2512	M36X2	3/4	19	25	46	48	55
BGIC90ES2516	M36X2	1"	25	25	46	68	66
BGIC90ES3016	M42X2	1"	25	30	50	68	70
BGIC90ES3820	M52X2	1"1/4	32	38	60	95	79



BGIC45ESxxxx

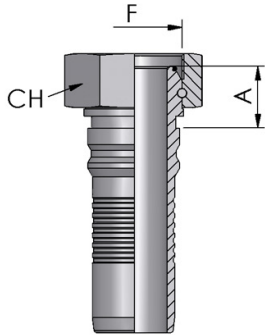
DKOS 45 - DRY-LOCK METRICO O-RING TUERCA LOCA 45°

Code Article	Thread	Hose		Standpipe	Dimensions (mm)		
		Inch/Pollici	DN (mm)		mm	CH	A
BGIC45ES2012	M30X2	3/4	19	20	36	78	25
BGIC45ES2512	M36X2	3/4	19	25	46	80	28
BGIC45ES2516	M36X2	1"	25	25	46	106	31
BGIC45ES3016	M42X2	1"	25	30	50	109	33
BGIC45ES3820	M52X2	1"1/4	32	38	60	140	36

Hidráulica Rogimar se reserva el derecho de cambiar total o parcialmente cualquier medida e información técnica contenida en este documento sin previo aviso.



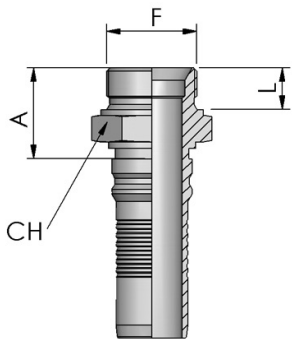
HIDRÁULICA
ROGIMAR



BGIFGxxxx

DKOR - DRY-LOCK BSP TUERCA LOCA CON PASADOR O-RING

Code Article	Thread	Hose		Dimensions (mm)	
		F	Inch/Pollici	DN (mm)	CH
BGIFG1212	3/4-14	3/4	19	32	23,16
BGIFG1616	1"-11	1"	25	38	23,8
BGIFG2016*	1"1/4-11	1"	25	50	38
BGIFG2020	1"1/4-11	1"1/4	32	50	29,3
BGIFG2424	1"1/2-11	1"1/2	38	55	29
BGIFG3232	2"-11	2"	51	70	29



BGIMGxxxx

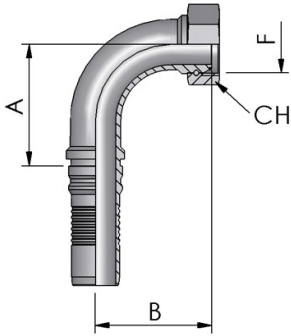
AGR - DRY-LOCK BSPP MACHO

Code Article	Thread	Hose		Dimensions (mm)		
		F	Inch/Pollici	DN (mm)	CH	A
BGIMG1212	3/4-14	3/4	19	32	31,9	16
BGIMG1616	1"-11	1"	25	41	38,4	20,3
BGIMG2016*	1"1/4-11	1"	25	50	42,6	20
BGIMG2020	1"1/4-11	1"1/4	32	50	42	22
BGIMG2424	1"1/2-11	1"1/2	38	55	45,5	22
BGIMG3232	2"-11	2"	51	70	53	24

Hidráulica Rogimar se reserva el derecho de cambiar total o parcialmente cualquier medida e información técnica contenida en este documento sin previo aviso.



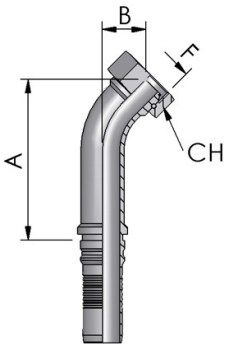
HIDRÁULICA
ROGIMAR



BGIC90Gxxxx

DKR 90 - DRY-LOCK BSP TUERCA LOCA 90 CON PASADOR O-RING

Code Article	Thread	Hose		Dimensions (mm)		
		Inch/Pollici	DN (mm)	CH	A	B
BGIC90G1212	3/4-14	3/4	19	32	47	54
BGIC90G1616	1"-11	1"	25	38	69	69
BGIC90G2016*	1"1/4-11	1"	25	50	68	74
BGIC90G2020	1"1/4-11	1"1/4	32	50	85	80
BGIC90G2424	1"1/2-11	1"1/2	38	55	105	101
BGIC90G3232	2"-11	2"	51	70	127	110



BGIC45Gxxxx

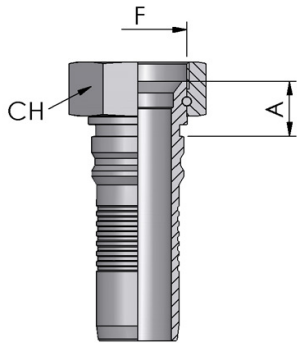
DDKR 45 - DRY-LOCK BSP TUERCA LOCA 45 CON PASADOR O-RING

Code Article	Thread	Hose		Dimensions (mm)		
		Inch/Pollici	DN (mm)	CH	A	B
BGIC45G1212	3/4-14	3/4	19	32	80	27
BGIC45G1616	1"-11	1"	25	38	109	33
BGIC45G2016*	1"1/4-11	1"	25	50	113	36
BGIC45G2020	1"1/4-11	1"1/4	32	50	131	37
BGIC45G2424	1"1/2-11	1"1/2	38	55	119	48
BGIC45G3232	2"-11	2"	51	70	187	44

Hidráulica Rogimar se reserva el derecho de cambiar total o parcialmente cualquier medida e información técnica contenida en este documento sin previo aviso.



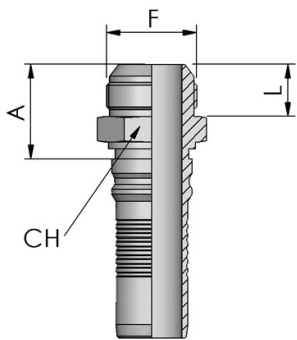
HIDRÁULICA
ROGIMAR



BGIFJxxxx

DKJ - DRY-LOCK JIC TUERCA LOCA CON PASADOR

Code Article	Thread	Hose		Dimensions (mm)	
	F	Inch/Pollici	DN (mm)	CH	A
BGIFJ2010*	1"1/16-12	5/8	16	32	20,1
BGIFJ2012	1"1/16-12	3/4	19	32	19,4
BGIFJ2512	1"5/16-12	3/4	19	41	21,1
BGIFJ2516	1"5/16-12	1"	25	41	22
BGIFJ3416*	1"5/8-12	1"	25	50	24
BGIFJ3420	1"5/8-12	1"1/4	32	50	24,6
BGIFJ4020*	1"7/8-12	1"1/4	32	55	25
BGIFJ4024	1"7/8-12	1"1/2	38	55	25,35
BGIFJ5032	2"1/2-12	2"	51	70	31,5



BGIMJxxxx

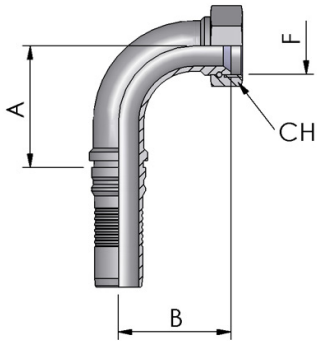
AGJ - DRY-LOCK JIC MACHO 1"1/16-12 TUBO.3/4

Code Article	Thread	Hose		Dimensions (mm)		
	F	Inch/Pollici	DN (mm)	CH	A	L
BGIMJ2012	1"1/16-12	3/4	19	27	37,2	21,9
BGIMJ2512	1"5/16-12	3/4	19	34	38,7	23
BGIMJ2516	1"5/16-12	1"	25	34	39,7	23
BGIMJ3420	1"5/8-12	1"1/4	32	42	44,3	24,3
BGIMJ4024	1"7/8-12	1"1/2	38	50	49,7	27,5
BGIMJ5032	2"1/2-12	2"	51	65	61	34

Hidráulica Rogimar se reserva el derecho de cambiar total o parcialmente cualquier medida e información técnica contenida en este documento sin previo aviso.



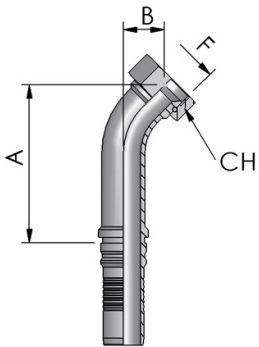
HIDRÁULICA
ROGIMAR



BGIC90Jxxxx

DKJ 90 - DRY-LOCK JIC TUERCA LOCA 90 CON PASADOR

Code Article	Thread	Hose		Dimensions (mm)		
	F	Inch/Pollici	DN (mm)	CH	A	B
BGIC90J2012	1"1/16-12	3/4	19	32	47	50
BGIC90J2512	1"5/16-12	3/4	19	41	47	53
BGIC90J2516	1"5/16-12	1"	25	41	69	64
BGIC90J3416*	1"5/8-12	1"	25	50	68	70
BGIC90J3420	1"5/8-12	1"1/4	32	50	85	77
BGIC90J4020*	1"7/8-12	1"1/4	32	55	84	79
BGIC90J4024	1"7/8-12	1"1/2	38	55	105	97
BGIC90J5032	2"1/2-12	2"	51	75	140	139



BGIC45Jxxxx

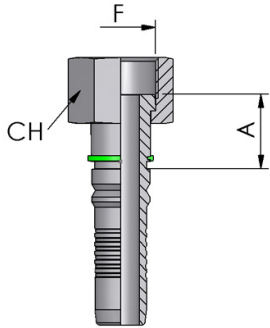
DKJ 45 - DRY-LOCK JIC TUERCA LOCA 45 CON PASADOR

Code Article	Thread	Hose		Dimensions (mm)		
	F	Inch/Pollici	DN (mm)	CH	A	B
BGIC45J2012	1"1/16-12	3/4	19	32	75	25
BGIC45J2512	1"5/16-12	3/4	19	41	79	26
BGIC45J2516	1"5/16-12	1"	25	41	106	29
BGIC45J3416*	1"5/8-12	1"	25	50	110	33
BGIC45J3420	1"5/8-12	1"1/4	32	50	129	35
BGIC45J4024	1"7/8-12	1"1/2	38	55	147	38
BGIC45J5032	2"1/2-12	2"	51	70	141	68

Hidráulica Rogimar se reserva el derecho de cambiar total o parcialmente cualquier medida e información técnica contenida en este documento sin previo aviso.



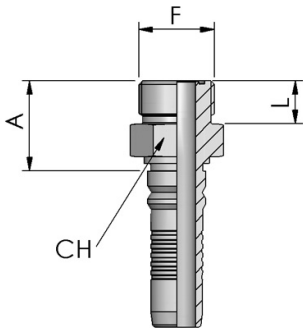
HIDRÁULICA
ROGIMAR



BGIFORFSxxxx

DKO - DRY-LOCK ORFS TUERCA LOCA

Code Article	Thread	Hose		Dimensions (mm)	
		F	Inch/Pollici	DN (mm)	CH
BGIFORFS1810*	1"-14	5/8	16	30	28,5
BGIFORFS2212	1"3/16-12	3/4	19	36	30,7
BGIFORFS2616	1"7/16-12	1"	25	41	32,1
BGIFORFS3620	1"11/16-12	1"1/4	32	50	33,4
BGIFORFS4624	2"-12	1"1/2	38	60	41



BGIMORFSxxxx

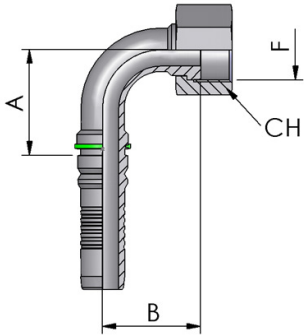
AGO - DRY-LOCK ORFS MACHO

Code Article	Thread	Hose		Dimensions (mm)		
		F	Inch/Pollici	DN (mm)	CH	A
BGIMORFS2212	1"3/16-12	3/4	19	32	35,7	17
BGIMORFS2616	1"7/16-12	1"	25	38	38,9	17,5
BGIMORFS3620	1"11/16-12	1"1/4	32	46	46,9	17,5
BGIMORFS4624	2"-12	1"1/2	38	55	50,1	17,5

Hidráulica Rogimar se reserva el derecho de cambiar total o parcialmente cualquier medida e información técnica contenida en este documento sin previo aviso.



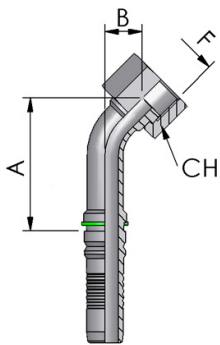
HIDRÁULICA
ROGIMAR



BGIC90ORFSxxxx

DKO 90 - DRY-LOCK ORFS TUERCA LOCA 90°

Code Article	Thread		Hose		Dimensions (mm)		
	F	Inch/Pollici	DN (mm)	CH	A	B	
BGIC90ORFS1810*	1"-14	5/8	16	30	45	45	
BGIC90ORFS2212	1"3/16-12	3/4	19	36	48	46	
BGIC90ORFS2612*	1"7/16-12	3/4	19	41	45	57	
BGIC90ORFS2616	1"7/16-12	1"	25	41	68	63	
BGIC90ORFS3620	1"11/16-12	1"1/4	32	50	83	74	
BGIC90ORFS4624	2"-12	1"1/2	38	60	102	84	



BGIC45ORFSxxxx

DKO 45 - DRY-LOCK ORFS TUERCA LOCA 45

Code Article	Thread		Hose		Dimensions (mm)		
	F	Inch/Pollici	DN (mm)	CH	A	B	
BGIC45ORFS2212	1"3/16-12	3/4	19	36	74	21	
BGIC45ORFS2616	1"7/16-12	1"	25	41	104	29	
BGIC45ORFS3620	1"11/16-12	1"1/4	32	50	96	42	
BGIC45ORFS4624	2"-12	1"1/2	38	60	148	35	

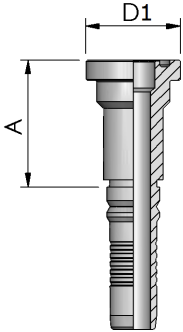
Hidráulica Rogimar se reserva el derecho de cambiar total o parcialmente cualquier medida e información técnica contenida en este documento sin previo aviso.



HIDRÁULICA
ROGIMAR

BGIFLPI3xxxx

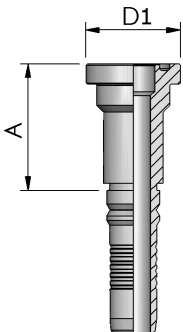
SFL - DRY-LOCK BRIDA SAE 3000 PSI



Code Article	Flange	Hose		Dimensions (mm)	
		Inch/Pollici	DN (mm)	D1	A
BGIFLPI31212	3/4	3/4	19	38,1	51
BGIFLPI31616	1"	1"	25	44,5	57,8
BGIFLPI32020	1"1/4	1"1/4	32	50,8	63,6
BGIFLPI32424	1"1/2	1"1/2	38	60,4	68
BGIFLPI33232	2"	2"	51	71,4	76,1

BGIFLPI6xxxx

SFS - DRY-LOCK BRIDA SAE 6000 PSI

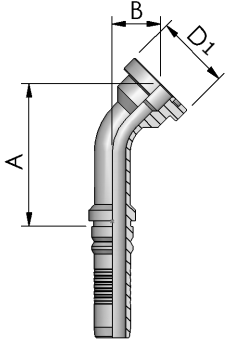


Code Article	Flange	Hose		Dimensions (mm)	
		Inch/Pollici	DN (mm)	D1	A
BGIFLPI61212	3/4	3/4	19	41,3	57,5
BGIFLPI61612	1"	3/4	19	47,6	60,1
BGIFLPI61616	1"	1"	25	47,6	63,8
BGIFLPI62016	1"1/4	1"	25	54,0	67,8
BGIFLPI62020	1"1/4	1"1/4	32	54,0	69,1
BGIFLPI62420	1"1/2	1"1/4	32	63,5	78,6
BGIFLPI62424	1"1/2	1"1/2	38	63,5	78,4
BGIFLPI63232	2"	2"	51	79,4	99,1

Hidráulica Rogimar se reserva el derecho de cambiar total o parcialmente cualquier medida e información técnica contenida en este documento sin previo aviso.



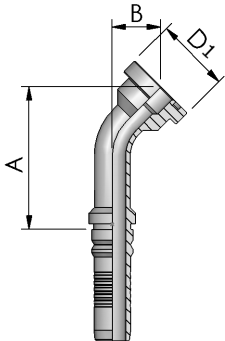
HIDRÁULICA
ROGIMAR



BGIFLPI645xxxx

SFS 45° - DRY-LOCK BRIDA SAE 45° 6000 PSI

Code Article	Flange	Hose		Dimensions (mm)		
		Inch/Pollici	DN (mm)	D1	A	B
BGIFLPI6451212	3/4	3/4	19	41,3	80	27
BGIFLPI6451612	1"	3/4	19	47,6	84	31
BGIFLPI6451616	1"	1"	25	47,6	111	34
BGIFLPI6452016	1"1/4	1"	25	54,0	116	39
BGIFLPI6452020	1"1/4	1"1/4	32	54,0	134	40
BGIFLPI6452420	1"1/2	1"1/4	32	63,5	140	46
BGIFLPI6452424	1"1/2	1"1/2	38	63,5	124	52
BGIFLPI6453232	2"	2"	51	79,4	151	64



BGIFLPI345xxxx

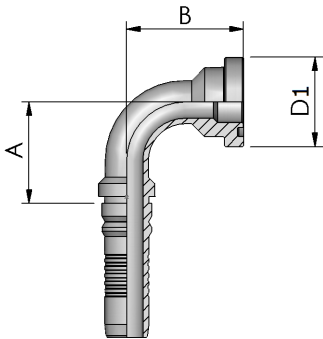
SFL 45° - DRY-LOCK BRIDA SAE 45° 3000 PSI

Code Article	Flange	Hose		Dimensions (mm)		
		Inch/Pollici	DN (mm)	D1	A	B
BGIFLPI3451212	3/4	3/4	19	38,1	76	25
BGIFLPI3451616	1"	1"	25	44,5	110	34
BGIFLPI3452020	1"1/4	1"1/4	32	50,8	126	32
BGIFLPI3452424	1"1/2	1"1/2	38	60,3	121	49
BGIFLPI3453232	2"	2"	51	71,4	146	60

Hidráulica Rogimar se reserva el derecho de cambiar total o parcialmente cualquier medida e información técnica contenida en este documento sin previo aviso.



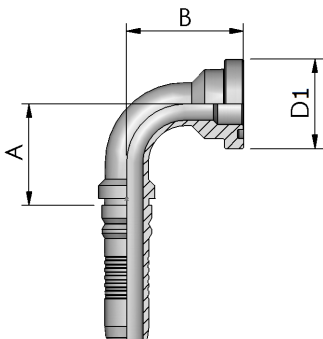
HIDRÁULICA
ROGIMAR



BGIFLPI390xxxx

SFL 90° - DRY-LOCK BRIDA SAE 90° 3000 PSI

Code Article	Flange	Hose		Dimensions (mm)		
		Inch/Pollici	DN (mm)	D1	A	B
BGIFLPI3901212	3/4	3/4	19	38,1	47	50
BGIFLPI3901612*	1"	3/4	19	44,5	45	57
BGIFLPI3901616	1"	1"	25	44,5	69	70
BGIFLPI3902020	1"1/4	1"1/4	32	50,8	85	73
BGIFLPI3902420*	1"1/2	1"1/4	32	60,3	82	85
BGIFLPI3902424	1"1/2	1"1/2	38	60,4	105	102
BGIFLPI3903232	2"	2"	51	71,4	125	130



BGIFLPI690xxxx

SFS 90° - DRY-LOCK BRIDA SAE 90° 6000 PSI

Code Article	Flange	Hose		Dimensions (mm)		
		Inch/Pollici	DN (mm)	D1	A	B
BGIFLPI6901212	3/4	3/4	19	41,28	47	54
BGIFLPI6901612	1"	3/4	19	47,63	47	60
BGIFLPI6901616	1"	1"	25	47,63	69	71
BGIFLPI6902016	1"1/4	1"	25	54,0	69	78
BGIFLPI6902020	1"1/4	1"1/4	32	54,0	85	84
BGIFLPI6902420	1"1/2	1"1/4	32	63	85	93
BGIFLPI6902424	1"1/2	1"1/2	38	63,5	105	108
BGIFLPI6903232	2"	2"	51	79,38	126	135

Hidráulica Rogimar se reserva el derecho de cambiar total o parcialmente cualquier medida e información técnica contenida en este documento sin previo aviso.